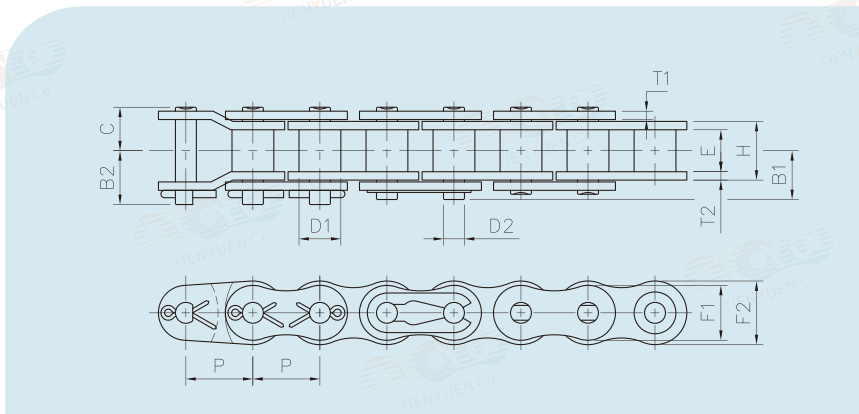


SELF-LUBRICATING CHAIN ANSI SERIES

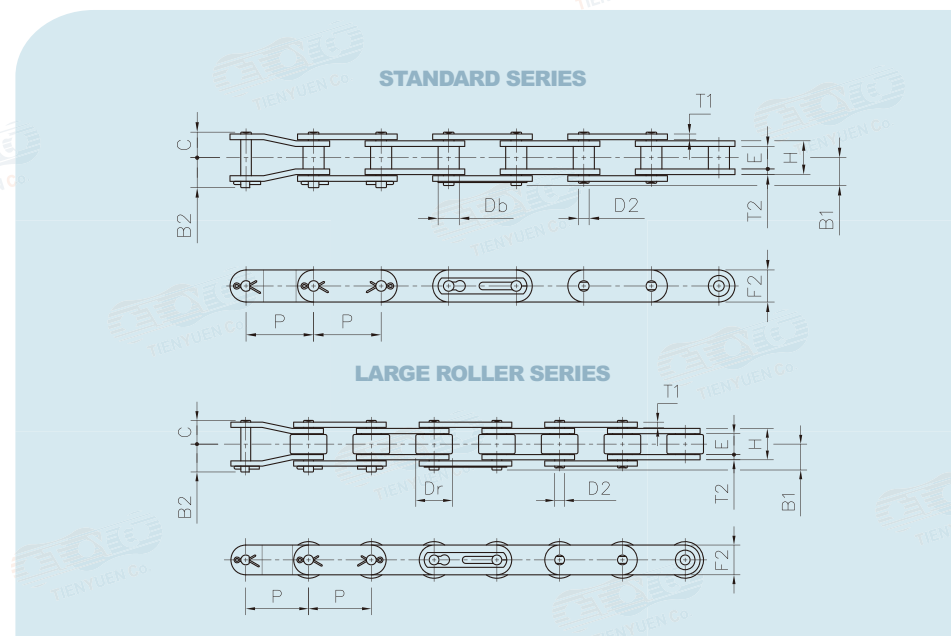


Single Pitch

Chain No.	Pitch x Width		Bush D1	Pin			Link					Avg. Ulti. Tensile Strength kgf	Approx. Weight kg / m	
	P	E		C	B1	B2	D2	T1	T2	H	F1			F2
	inch	mm		mm	mm	mm	mm	mm	mm	mm	mm			mm
35 SL	3/8 x 3/16	9.53 x 4.78	5.08	5.88	7.03	7.03	3.00	1.27	1.27	7.46	7.80	9.04	1,050	0.30
40 SL	1/2 x 5/16	12.70 x 7.92	7.92	8.22	10.32	10.32	3.98	1.52	1.52	11.17	10.41	12.06	1,350	0.59
50 SL	5/8 x 3/8	15.88 x 9.53	10.16	10.15	12.40	12.40	5.09	2.03	2.03	13.84	13.01	15.08	2,100	0.97
60 SL	3/4 x 1/2	19.05 x 12.70	11.91	12.72	15.27	15.27	5.96	2.39	2.39	17.75	15.64	18.09	2,900	1.36
80 SL	1 x 5/8	25.40 x 15.88	15.88	16.50	18.50	20.40	7.94	3.18	3.18	22.60	20.82	24.13	5,200	2.43
100 SL	1-1/4 x 3/4	31.75 x 19.05	19.05	19.84	24.14	24.14	9.54	3.96	3.96	27.75	26.03	30.16	8,400	3.60
60H SL	3/4 x 1/2	19.05 x 12.70	11.91	14.40	15.70	16.90	5.96	3.18	3.18	19.43	15.64	18.09	3,800	1.78
80H SL	1 x 5/8	25.40 x 15.88	15.88	18.15	20.15	22.15	7.94	3.96	3.96	24.28	20.82	24.13	6,600	2.94

Self-lubricating (SL) chain is roller-less. The bush OD(D1) equals to roller OD of standard roller chain.

SELF-LUBRICATING CHAIN ANSI DOUBLE PITCH SERIES

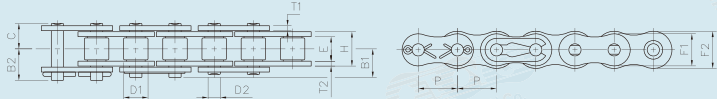


Double Pitch

Chain No.	Pitch x Width		Standard Series Db	Large Roller Series Dr	Pin				Link				Avg. Ulti. Tensile Strength kgf	Approx. Weight	
	P	E			C	B1	B2	D2	T1	T2	H	F2		STD roller	Large roller
	inch	mm			mm	mm	mm	mm	mm	mm	mm	mm		kg / m	kg / m
C2040 / C2042 SL	1 x 5/16	25.40 x 7.92	7.92	15.88	8.22	10.32	10.32	3.98	1.52	1.52	11.17	11.75	1,300	0.46	0.81
C2050 / C2052 SL	1-1/4 x 3/8	31.75 x 9.52	10.16	19.05	10.15	12.40	12.40	5.09	2.03	2.03	13.84	15.08	2,100	0.75	1.24
C2060 / C2062 SL	1-1/2 x 1/2	38.10 x 12.70	11.91	22.23	12.72	15.27	15.27	5.96	2.39	2.39	17.75	18.09	2,900	1.09	1.80
C2080 / C2082 SL	2 x 5/8	50.80 x 15.88	15.88	28.58	16.50	18.50	20.40	7.94	3.18	3.18	22.60	24.13	5,200	1.91	3.08
C2060H / C2062H SL	1-1/2 x 1/2	38.10 x 12.70	11.91	22.23	14.40	15.70	16.90	5.96	3.18	3.18	19.43	18.09	3,800	1.31	2.06
C2080H / C2082H SL	2 x 5/8	50.80 x 15.88	15.88	28.58	18.28	20.15	22.15	7.94	3.96	3.96	24.28	24.13	6,600	2.35	3.69
C2102H SL	2-1/2 x 3/4	63.50 x 19.05		39.67	21.84		25.34	9.54	4.75	4.75	29.10	30.16	14,000		5.78
C2122H SL	3 x 1	76.20 x 25.40		44.45	27.23		32.13	11.11	5.56	5.56	37.19	36.19	18,300		7.96

Standard series is roller-less. The bush OD(Db) equals to roller OD of standard double-pitch roller chain.

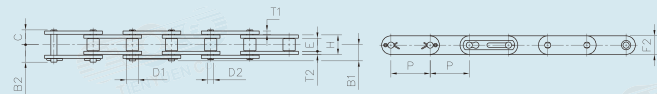
SLB CHAIN ANSI SERIES



Single Pitch

Chain No.	Pitch x Width	Roller	Pin				Link					Avg. Ult. Tensile Strength	Approx. Weight
	P x E inch mm		D1 mm	C mm	B1 mm	B2 mm	D2 mm	T1 mm	T2 mm	H mm	F1 mm		
40 SLB	1/2 x 5/16 12.70 x 7.92	7.92	8.22	10.32	10.32	3.98	1.52	1.52	11.17	10.41	12.06	1,900	0.73
50 SLB	5/8 x 3/8 15.88 x 9.53	10.16	10.15	12.40	12.40	5.09	2.03	2.03	13.84	13.01	15.08	3,100	1.05
60 SLB	3/4 x 1/2 19.05 x 12.70	11.91	12.72	15.27	15.27	5.96	2.39	2.39	17.75	15.64	18.09	4,200	1.46
80 SLB	1 x 5/8 25.40 x 15.88	15.88	16.50	18.50	20.40	7.94	3.18	3.18	22.60	20.82	24.13	8,000	2.66
100 SLB	1-1/4 x 3/4 31.75 x 19.05	19.05	19.84		24.14	9.54	3.96	3.96	27.75	26.03	30.16	11,500	4.02
120 SLB	1-1/2 x 1 38.10 x 25.40	22.23	25.53		29.83	11.11	4.75	4.75	35.45	31.24	36.19	15,600	6.58
140 SLB	1-3/4 x 1 44.45 x 25.40	25.40	27.27		32.17	12.71	5.56	5.56	37.18	36.44	42.22	21,000	7.54
160 SLB	2 x 1-1/4 50.80 x 31.75	28.58	32.76		37.06	14.29	6.35	6.35	45.21	41.65	48.26	26,300	9.67
60H SLB	3/4 x 1/2 19.05 x 12.70	11.91	14.40	15.70	16.90	5.96	3.18	3.18	19.43	15.64	18.09	5,500	1.78
80H SLB	1 x 5/8 25.40 x 15.88	15.88	18.15	20.15	22.55	7.94	3.96	3.96	24.28	20.82	24.13	9,500	3.08

1. SLB chain has the same tensile strength as ANSI standard roller chain of the same pitch.
2. For chain size 100 SLB and above, spring-clip type connecting links are not available.
3. Offset links are available.
4. Multiple strand chains are available, and can be used with ANSI standard sprockets.
5. Side plates are phosphate coated. Pins are nickel plated.

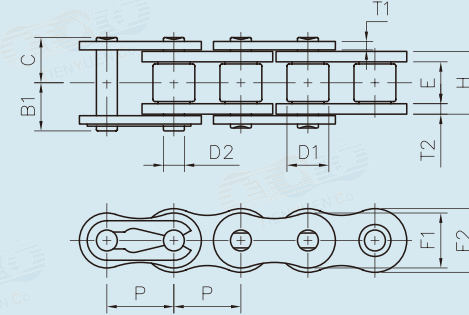


Double Pitch

Chain No.	Pitch x Width	Roller	Pin				Link					Avg. Ult. Tensile Strength	Approx. Weight
	P x E inch mm		D1 mm	C mm	B1 mm	B2 mm	D2 mm	T1 mm	T2 mm	H mm	F2 mm		
C2040 SLB	1 x 5/16 25.40 x 7.92	7.92	8.22	10.32	10.32	3.98	1.52	1.52	11.17	11.75	1,900	0.54	
C2050 SLB	1-1/4 x 3/8 31.75 x 9.53	10.16	10.15	12.40	12.40	5.09	2.03	2.03	13.84	15.08	3,550	0.81	
C2060H SLB	1-1/2 x 1/2 38.10 x 12.70	11.91	14.40	15.70	16.90	5.96	3.18	3.18	19.43	18.09	5,700	1.45	

1. SLB chain has the same tensile strength as ANSI standard roller chain of the same pitch.
2. Large rollers are also available upon request.
3. Side plates are phosphate coated. Pins are nickel plated.

SLH CHAIN ANSI SERIES



Chain No.	Pitch x Width	Roller	Pin			Link					Avg. Ult. Tensile Strength	Approx. Weight
	P x E inch mm		D1 mm	C mm	B1 mm	D2 mm	T1 mm	T2 mm	H mm	F1 mm		
40 SLH	1/2 x 5/16 12.70 x 7.92	7.92	8.75	10.45	3.98	1.52	2.03	12.20	10.41	12.06	1,900	0.70
50 SLH	5/8 x 3/8 15.88 x 9.53	10.16	10.75	12.45	5.09	2.03	2.39	14.65	13.01	15.08	3,100	1.11
60 SLH	3/4 x 1/2 19.05 x 12.70	11.91	13.75	15.65	5.96	2.39	3.18	19.43	15.64	18.09	4,200	1.71
80 SLH	1 x 5/8 25.40 x 15.88	15.88	17.15	20.25	7.94	3.18	3.96	24.28	20.82	24.13	8,000	2.77

1. Offset links are not available
2. SLH series are designed to have working loads the same as that of standard ANSI roller chains of the same pitches. It is suitable for drive condition at low to moderate speed.
3. Multiple strand chains are available upon request, and can be used with ANSI heavy series sprockets.
4. Side plates are phosphate coated. Pins are nickel plated.

