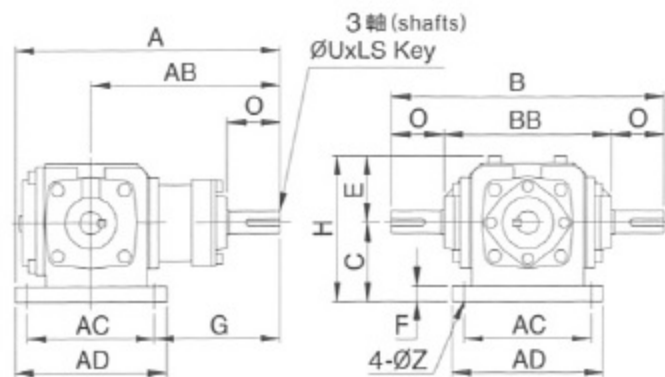
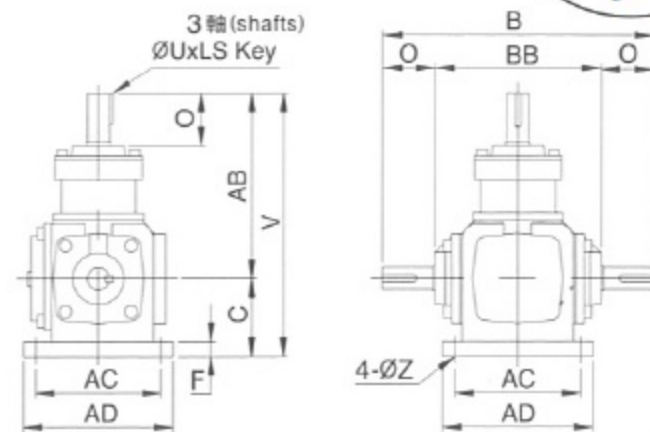


尺寸圖 DIMENSIONS

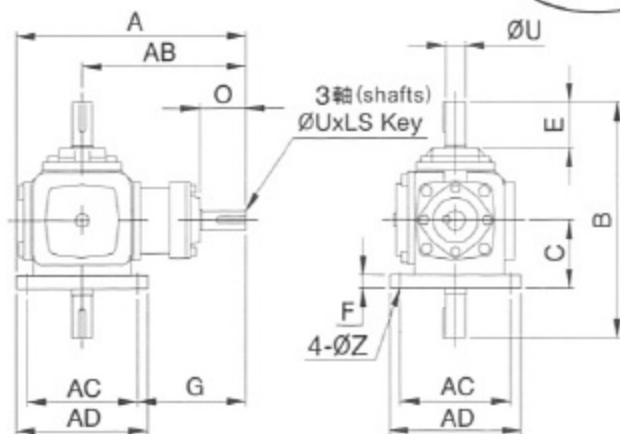
I-LR(-O)



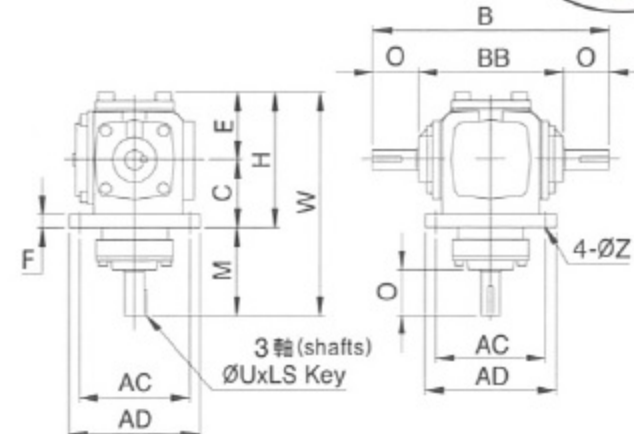
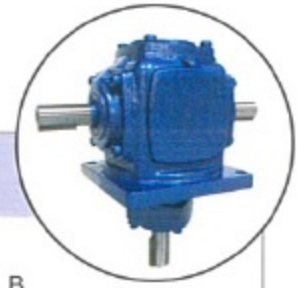
U-LR(-O)



I-UD(-O)



D-LR(-O)



(unit:mm)

MODEL	A	AB	B	BB	C	E	H	G	M	O	V	W	AC	AD	F	Z	φU	LS	Key	GD ² (Kgf-m) ²	Kg
LG 2M	174	124	180	110	52	50	102	82	72	35	176	174	84	100	10	9	15	33	5x5	0.00016	3.2
LG 4M	258	180	232	151	76	72	148	117.5	103	40	256	251	125	155	16	11	19*	38	6x6	0.00048	10.5
LG 6M	317	222	314	206	90	92	182	146	132	54	312	314	152	190	20	14	25	50	8x7	0.00448	21
LG 7M	372	265	350	220	100	90	190	178	165	65	365	355	174	210	20	14	32	62	10x8	0.01125	31
LG 8M	425	308	416	260	115	111	226	210.5	192	78	423	419	195	235	22	14	40	75	12x8	0.01536	45
LG 10M	502	360	480	290	140	118	258	240	220	95	500	478	240	285	25	16	45	90	14x9	0.07365	78
LG 12M	585	415	550	339	175	165	340	270	240	106	590	580	290	360	32	21	50	100	14x9	0.08158	124
LG 16M	650	455	630	410	200	186	386	290	255	110	655	641	330	390	40	25	60	105	18x11	0.27200	190

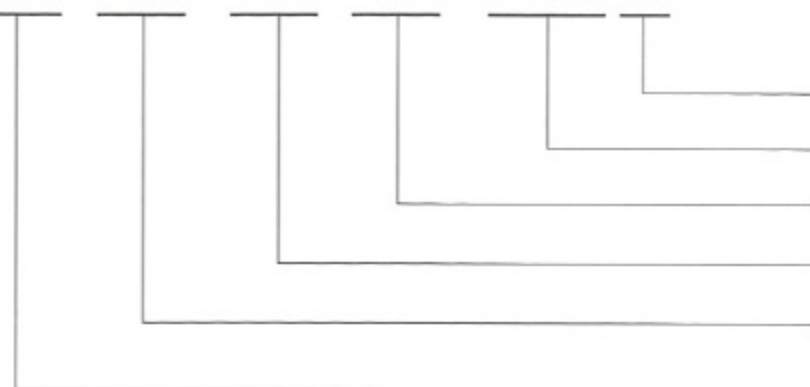
Note ※ 4 M-2:1 軸心有 φ16Key 5x5x30L & φ19Key 6x6x30L 兩種

(Shaft dimension: φ16Key 5x5x30L & φ19Key 6x6x30L are available for 4M-2:1)

1:1 與 2:1 尺寸相同 (Same dimensions for 1:1 and 2:1)

型號說明 MODEL CODE

TS LG 4M B2 I-LR-O



轉向 Direction of rotation
 軸配置 Shaft arrangement
 速比 Speed ratio (2:1) 無記號者速比為 1:1
 規格 Size (No mark means 1:1)
 產品別 Model
 廠牌 Brand

I-LR 	I-UD 	U-LR 	D-LR
I-R 	I-U 	U-R 	D-R
I-L 	I-D 	U-L 	D-L
I-LR-O 	I-UD-O 	U-LR-O 	D-LR-O
I-R-O 	I-U-O 	U-R-O 	D-R-O
I-L-O 	I-D-O 	U-L-O 	D-L-O